

ASEPT™

The Dispensing
Specialist

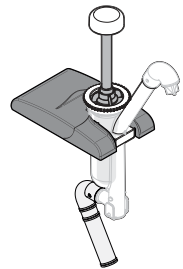


TOPPING PUMP

User Manual



Model 06
10600,
16mm

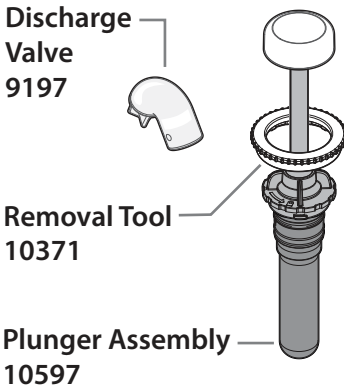


Model 06
10595,
fountain jar

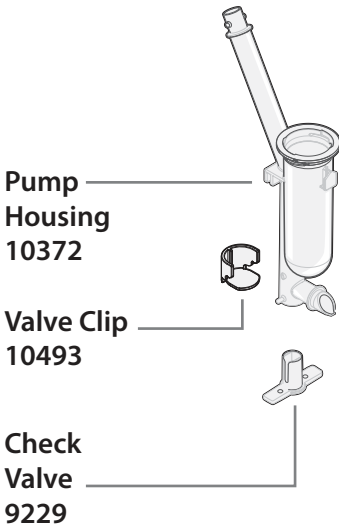
Topping Pump

Pump 10600

For use with
16mm fitment pouches

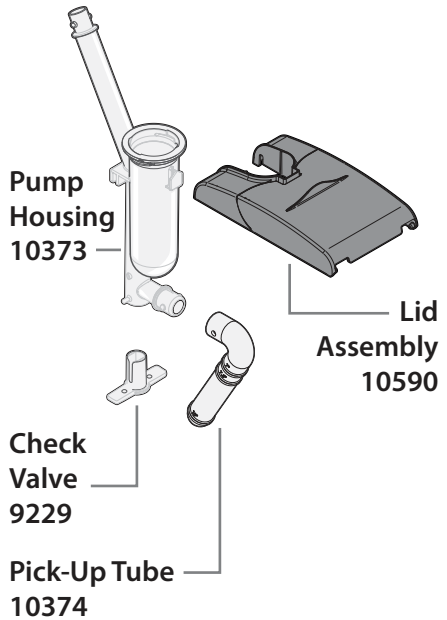
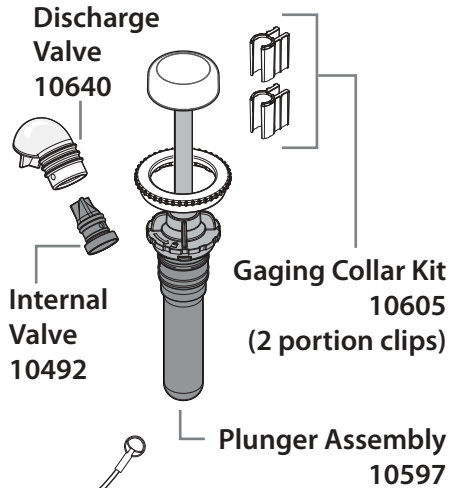


Brush 7615
(Included with each)



Pump 10595

For use with 7-10" fountain jars



Safety

All components must be cleaned before first use.



According to food and safety regulations, most foods must be stored and/or served at certain temperatures or they could become hazardous. Check with local food and safety regulators for specific guidelines. Be aware of the product you are serving and the temperature the product is required to maintain.

IMPORTANT Clean, rinse, sanitize, and dry parts at a minimum of every 24 hours. Always comply with local sanitization requirements.

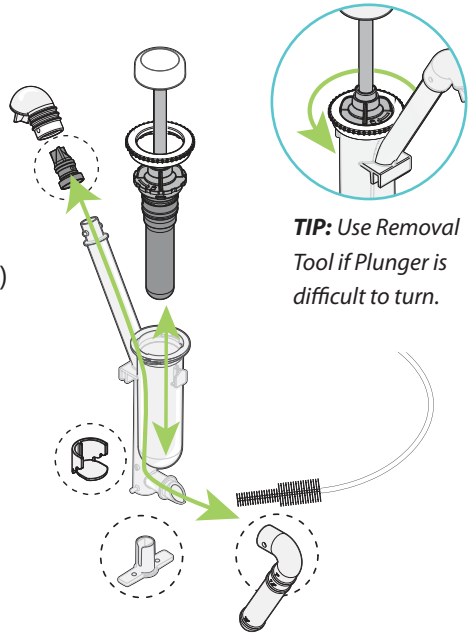
Cleaning



All components are dishwasher safe.

Disassemble all parts.
(Number of parts vary by model.)

Clean with soap and hot water, rinse, sanitize and dry parts according to local sanitization requirements.
Use supplied brush to scrub inside parts.



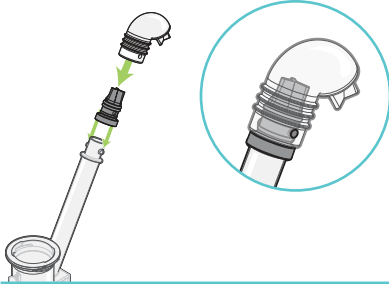
TIP: Use Removal Tool if Plunger is difficult to turn.

Assembly

Internal Valve for 10595 Pumps

If dispensing a product with particulates such as seeds, use internal valve to deliver more consistent portions. The internal valve is not needed when dispensing smooth products.

Insert internal valve between the neck of pump and discharge valve.

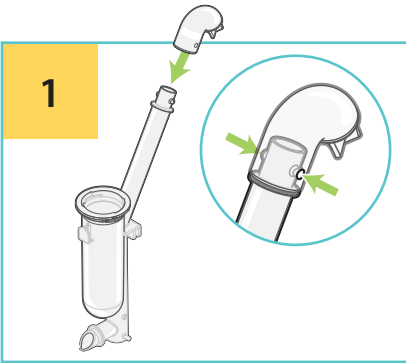


1

Mount the discharge valve

onto the end of the pump housing. Fit the pair of holes in the discharge valve over the pegs on the neck of the pump housing.

TIP: Lubricate parts with clean water to ease fitting.

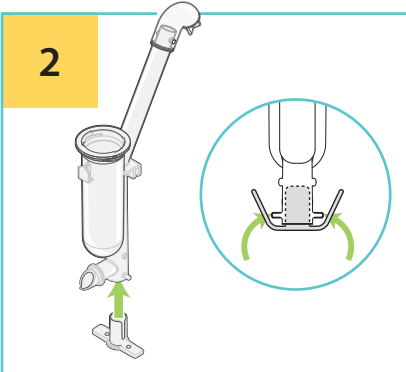


2

Insert the check valve

into the bottom of the pump housing. Wrap the flaps on the side of valve onto the pair of pegs on the pump housing.

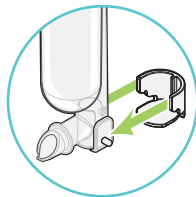
TIP: Lubricate parts with clean water to ease fitting.



2-B

for pouch Pump 10600

Mount the valve clip



3

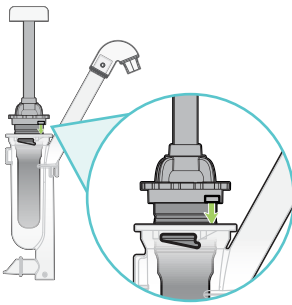


Insert the pump plunger

into the body of the pump housing.

TIP: Removal tool ring can remain on plunger throughout use.

4

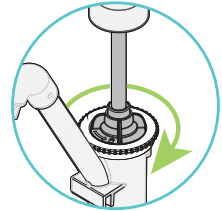


Align tabs on plunger

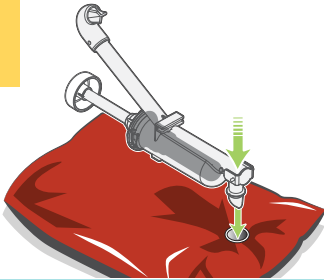
with slots in pump housing.

Twist to secure pump

Turn pump plunger clockwise.



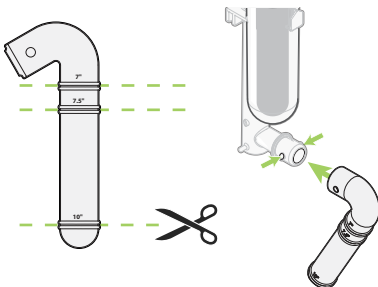
5



for pouch Pump 10600

Put new pouch on countertop with fitment facing up. Place piercing end of connector in center of the fitment. Push firmly until pump snaps into place.

for jar Pump 10595

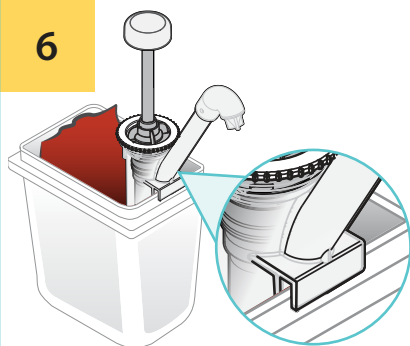


Add pick-up tube

Use scissors to trim desired length for vessel. Tube is marked for use in 7", 7.5" and 10" jars. Fit holes in tube over pair of pegs on end of pump housing.

TIP: Lubricate parts with clean water to ease fitting.

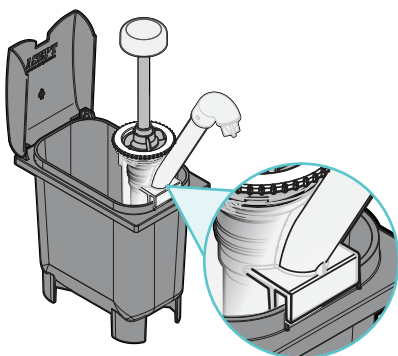
6



for pouch Pump 10600

Insert pump

into the container. Hook front of pump housing onto edge of container.



for jar Pump 10595

Pour product into jar

Add pump

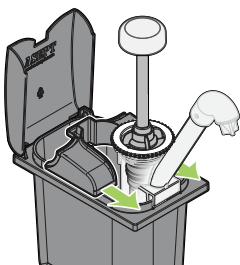
Hook front of pump housing onto edge of container.

Add back of lid

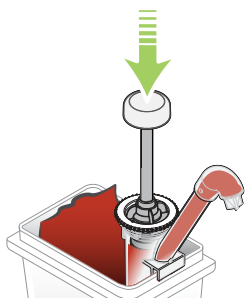
Snap tabs into back of fountain jar.

Add front of lid

to pump body.



7





Prime pump

Push knob several times until product is visible in discharge tube.

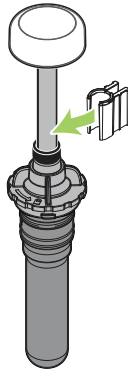
TIP: Temporarily remove any portion clips to prime more easily.

TIP: For very thick products, add $\frac{1}{4}$ cup of product into pump body to facilitate priming.

Setting the Portion

Desired Portion	Use Gaging Collars:
¾ fl oz	None
½ fl oz	1 Clip 
¼ fl oz	2 Clips 

Portions are set by adding portion clip(s) to the stem of the plunger.



To add a portion clip:

Snap portion clip onto the side of plunger stem.

Tips & Troubleshooting

Prevent pouch leaks:

Ensure that you hear a CLICK when attaching pump to pouch.
Ensure that the valve clip is installed to secure the check valve.

Portions inconsistent?

Use the internal valve to deliver even portions when product dispensed has particulates such as seeds.

Difficulty priming pump?

Remove the gaging collar(s) to prime. Reinstall gaging collar(s) once product has been drawn up to discharge valve.

ASEPT General Warranty

Liability for defects

Should the products, as delivered, within one (1) year from delivery be shown to be defective due to defaults in material or manufacturing ("Warranty Period"), the Supplier undertakes, at its own option (i) to make a replacement delivery, (ii) to repair or rework the products claimed to be defective or (iii) to accept return of such product and refund such proportion of the purchase sum received as corresponds to the returned products. The Supplier assumes no liability for defects as regards to layout and design of the products, unless expressly stated in the Agreement.

The Customer shall without undue delay notify the Supplier in writing of any defect which appears. Such notice shall under no circumstances be given later than two (2) weeks after the expiry of the Warranty Period.

The Supplier is liable only for defect which appear under the conditions of operation provided for in the Agreement and under proper use of the product. The Supplier's liability does not cover defect which are caused by faulty maintenance, incorrect erection or faulty repair by the Customer, or

by alterations carried out without the Supplier's consent in writing. Finally, the Supplier's liability does not cover normal wear and tear or deterioration.

Except as expressly specified above, the Supplier has no liability for defects in the products whatsoever and are under no circumstances responsible for any direct or indirect losses, damages or costs incurred by the Customer, including consequential damages.

General limitation of liability

Notwithstanding any other limitation of liability mentioned in the Agreement including these Terms and Conditions, the Supplier's liability for damages under the Agreement shall be limited to the insurance compensation that can be obtained in accordance with the Supplier's each valid liability insurance.

Consequential losses

There shall be no liability of either party towards the other party for loss of production, loss of profit, loss of use, loss of contract or for any other consequential or indirect loss whatsoever.

ASEPT

Asept International Inc.

900 Oakmont Ln, Suite 207,
Westmont IL 60559, USA
+1 (630) 441-5656
info.us@asept.com

Asept International AB

Traktorvägen 17, SE-226 60
Lund, Sweden
+46 46 329 700
info@asept.com

www.asept.com