

ASEPT™

The Dispensing
Specialist

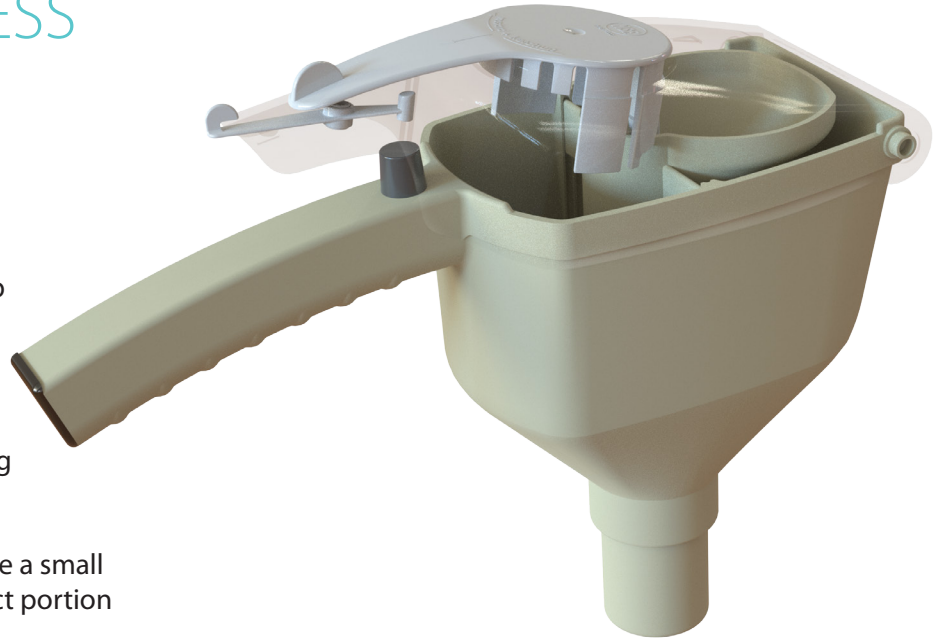
ASEPT MULTIDRESS

**Dress a bun perfectly.
Ketchup and mustard
at the same time.**

Dispense any combination of ketchup and mustard, at the same time or individually.

You can set all combinations with a swift movement of your thumb during operation.

The Multidress is designed to dispense a small portion or a large portion, for a perfect portion every time.



Features & Benefits

- NSF Listed
- All components in food contact are manufactured in BPA-free food grade material
- Easy to disassemble and clean
- All components are dishwasher safe
- Two portion setting options
- Ability to choose either ketchup or mustard only
- Calibration ring for dialing in an exact portion
- Small setting 1/3 fl oz (10ml) ketchup, 1.1 ml mustard
- Large setting 1/2 fl oz (15ml) ketchup, 1.4 ml mustard
- Ketchup capacity 48 fl oz
- Mustard capacity 8 fl oz

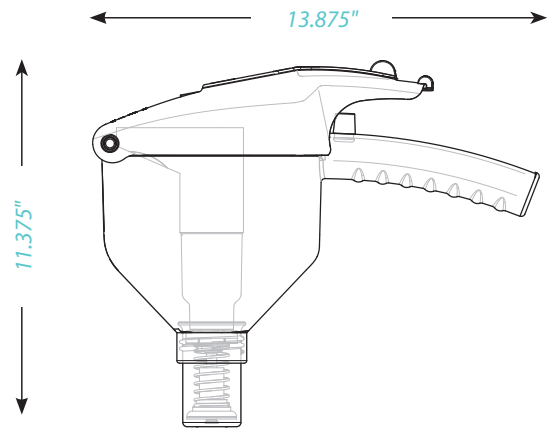
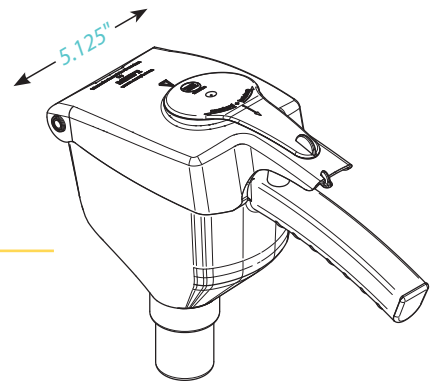
ASEPT Multidress is designed
for use with ketchup and mustard



ASEPT MULTIDRESS

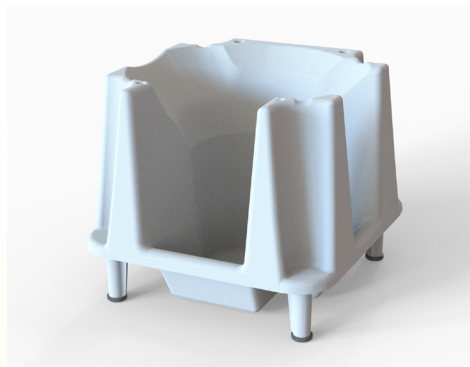
Specifications

Model	77000
Part Number	77000
Weight	1.5 lb
Dimensions	11.375" x 13.875" x 5.125"



Accessories

Multidress Stand
Part 8654



ASEPT

Asept International Inc.

5207 N. 125th St. Butler, WI 53007, USA
888-927-3785
info.us@asept.com

Asept International AB

Traktorvägen 17, SE-226 60 Lund, Sweden
+46 46 329 700
info@asept.com

www.asept.com

ASEPT™