

ASEPT™

The Dispensing
Specialist

SPECIALTY STAINLESS STEEL DISPENSERS

Clean. User friendly. Exact portioning.

Optimize your self-serve station with ASEPT stainless steel dispensers. They offer accurate portions at the press of a lever.

Save labor without compromising cleanliness. Dispensing from pouches or jars means easy loading and clean up, while the drip-free valves keep serving areas tidy.

The stainless steel housing provides style and durability.

Available in models that can stand freely on the counter and accept a 3 gallon bag-in-box or 1 gallon jar.

Features & Benefits

- NSF Listed
- Few components - easy to disassemble and clean
- All components are dishwasher safe
- Portion settings for 1/2 oz and 1 oz
- Consistent portion control
- Transparent pump body allows for quick product identification
- No-drip valve for clean serving areas
- 3 gallon dispenser accepts standard 3 gallon bag-in-box
- 1 gallon dispenser accepts a variety of 1 gallon jars



ASEPT Specialty Stainless Steel Dispensers are designed for use with a variety of 1 gallon jars or standard 3 gallon bag-in-box condiments and toppings.

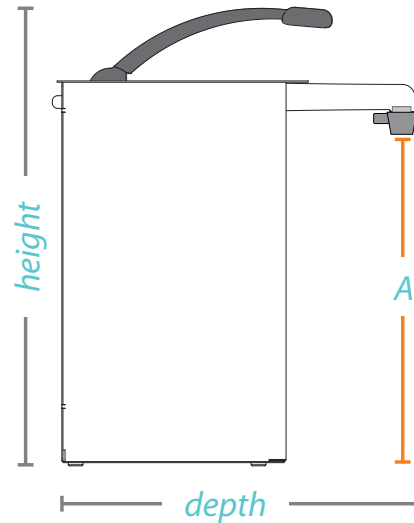
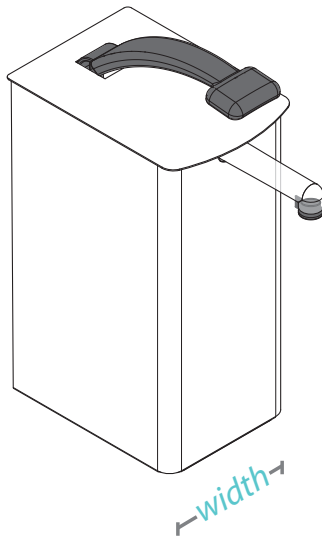


ADA COMPLIANT

Less than 5 lbs
pressure to dispense

SPECIALTY STAINLESS STEEL DISPENSERS

Specifications



Part #	Model	Description	Dimensions (w x d x h)	Dimension A
10435	SS1G-1	1 Gallon Jar	6¾" x 13¼" x 20"	14 ⅛"
10445	SS3G-1	3 Gallon Bag-In-Box	10⅞" x 13¼" x 18¾"	12⅞"

ASEPT

Asept International Inc.

5207 N. 125th St. Butler, WI 53007, USA
 888-927-3785
 info.us@asept.com

Asept International AB

Traktorvägen 17, SE-226 60 Lund, Sweden
 +46 46 329 700
 info@asept.com

www.asept.com

ASEPT™