

# ASEPT™

The Dispensing Specialist

## STAINLESS STEEL DISPENSERS

### Clean. User friendly. Exact portioning.

Optimize your self-serve station with ASEPT stainless steel dispensers. They offer accurate portions at the press of a lever. Save labor without compromising cleanliness. Dispensing from pouches means easy loading and clean up, while the drip-free valves keep serving areas tidy.

The sealed system optimizes freshness and flavor and delivers a 95% to 98% yield for minimal product and material waste. The stainless steel housing provides style and durability.

Available in models that can stand freely on the counter or, if a lower profile is desired, models that can be dropped into a countertop cut-out.



Models available for countertop or drop-in application range from Single to Quintuple configurations.

### Features & Benefits

- NSF Listed
- Few components - easy to disassemble and clean
- All components are dishwasher safe
- Portion settings for 1/2 oz and 1 oz
- Sealed system achieves up to 98% product yield
- Consistent portion control
- Transparent pump body allows for quick product identification
- No-drip valve for clean serving areas
- Accepts standard 1.5 gallon (6-qt.) pouch



ASEPT Stainless Steel Dispensers are designed for use with standard 1½ gallon pouched condiments and toppings.

Pumps attach to 16mm fitments in pouches.

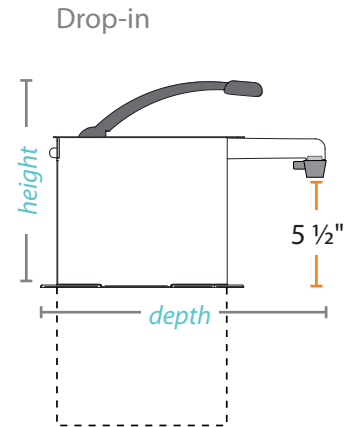
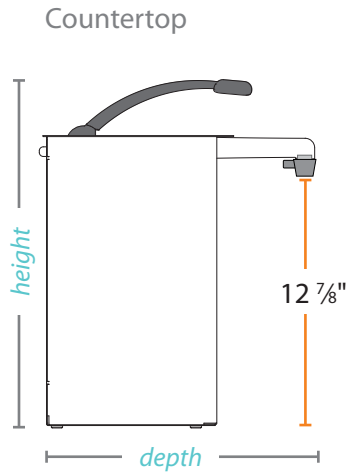
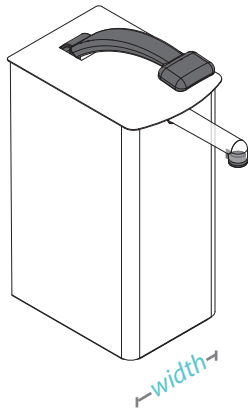


**ADA COMPLIANT**

Less than 5 lbs pressure to dispense

# ASEPT STAINLESS STEEL DISPENSERS

## Specifications



Dispenser	Model	Part #	Dimensions (w x d x h)
Single	SS6L-1	10151	6½" x 13¼" x 18¾"
Single Drop In	SS6L-1DI	10266	7⅝" x 14" x 12"
Double	SS6L-2	10156	10⅞" x 13¼" x 18¾"
Double Drop In	SS6L-2DI	10271	12" x 14" x 12"
Triple	SS6L-3	10161	16⅜" x 13¼" x 18¾"
Triple Drop In	SS6L-3DI	10276	17½" x 14" x 12"
Quadruple	SS6L-4	10139	21⅞" x 13¼" x 18¾"
Quadruple Drop In	SS6L-4DI	10281	23" x 14" x 12"
Quintuple	SS6L-5	10291	27⅜" x 13¼" x 18¾"
Quintuple Drop In	SS6L-5DI	10286	28½" x 14" x 12"

# ASEPT

### Asept International Inc.

5207 N. 125th St. Butler, WI 53007, USA  
 888-927-3785  
 info.us@asept.com

### Asept International AB

Traktorvägen 17, SE-226 60 Lund, Sweden  
 +46 46 329 700  
 info@asept.com

[www.asept.com](http://www.asept.com)

# ASEPT™